

## LiberoPro

### Flat Induction, mono zone, 3Phase

ITEM # \_\_\_\_\_

MODEL # \_\_\_\_\_

NAME # \_\_\_\_\_

SIS # \_\_\_\_\_

AIA # \_\_\_\_\_



### Main Features

- Plug in unit designed for table top installations.
- 2-color user interface (white and red) for better readability.
- Rapid heat trasfer directly to the pan, no heat is dispersed into the environment.
- Automatic pan detection to transfer power only when pan is present.
- Glass touch display on top for maximum visibility.
- Power level settings from 1 to 10.
- Timer function can be used to set the cooking time, switching off the zone automatically at the end of the time set.
- Suitable for pot and pan with diameter from 120 mm to 340mm.
- Self-diagnostics: an error code is displayed (Exxx) in case of dysfunction.
- Designed for LiberoPro Duo function for automatic regulation of the LiberPro Point fan speed according to cooking intensity.
- Sealed heavy duty glass-ceramic cooking surface, 4 mm in thickness.

### Construction

- 4 sides unique frame in AISI 304 2 mm thick.
- Induction air filters easy to clean and remove for monthly cleaning.
- 4 feet, cord and plug included.
- IPx4 water protection.

### Sustainability



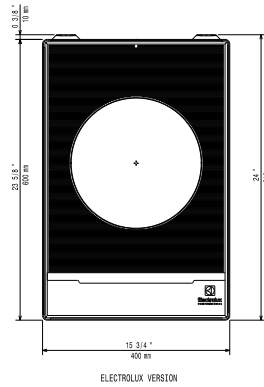
- This model is compliant with Swiss Energy Efficiency Ordinance (730.02).

### Optional Accessories

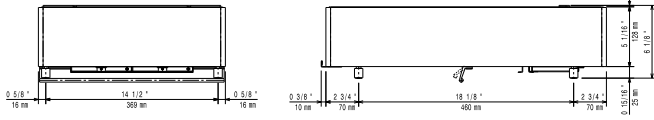
- Stainless steel universal frying pan with stainless steel handle (diam. 200mm) suitable for induction and all other heating sources PNC 653596
- Universal frying pan with stainless steel handle (diam. 240mm) suitable for induction and all other heating sources PNC 653597
- Universal frying pan with stainless steel handle (diam. 280mm) suitable for induction and all other heating sources PNC 653598
- Universal frying pan with ribbed plate suitable for induction cookers PNC 653618

APPROVAL: \_\_\_\_\_

Top

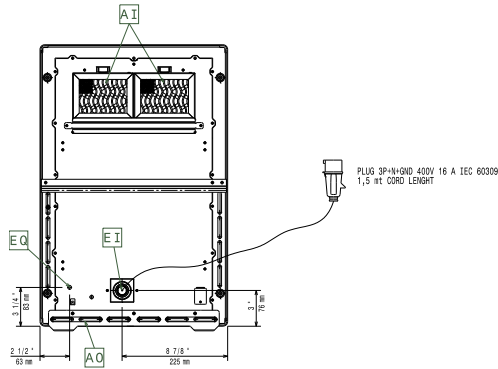


Side



EI = Electrical inlet (power)  
 EO = Electrical Outlet

Other



### Electric

<b>Supply voltage:</b>	<b>600883 (E1HDDEOMCT)</b>	380-415 V/3 ph/50-60 Hz
<b>Total Watts:</b>		5 kW
<b>Plug type:</b>		IEC/EN 60309-1/2
<b>Minimum Circuit Ampacity (MCA):</b>		16A

### Key Information:

<b>External dimensions, Width:</b>	400 mm
<b>External dimensions, Depth:</b>	600 mm
<b>External dimensions, Height:</b>	152 mm
<b>Net weight:</b>	19 kg